



136 The East Mall
Toronto, Ontario M8Z 5V5
Telephone 416 236-9610
Fax 416 236-9611

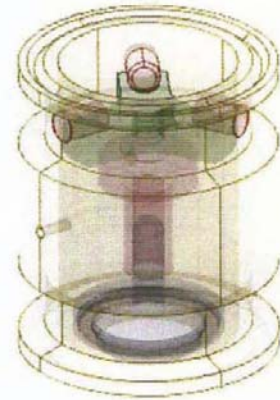
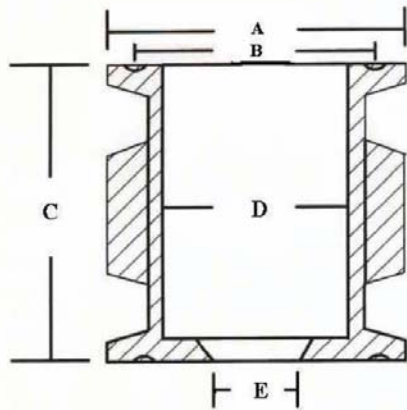
QUICK CLEAN SANITARY RELIEF VALVE & VACUUM BREAKER



Quick Clean
Quick Resetting
Leak Tight
Failsafe

Low Maintenance
Wide Range of Set Pressure
In-Place Cleaning
Re-closing

The above design allows for Clean in Place (CIP) with the valve disc flush with the flat surface of the inlet. All machined surfaces meet or exceed 3A Standards. The valve can be quickly and easily disassembled for sterilization and reassembled without affecting the set pressure of the safety relief device. The Quick Clean Sanitary Relief Valve is a soft seat modulating valve with set pressures from 1 psig to 200 psig. Vacuum Breaker set pressures are from 1" W.C. to full vacuum. The valve achieves a rapid blow down ratio of about 5% and regains its bubble tight seal when it re-closes. This Valve Quick Clean is available in sanitary clamp sizes 1.5", 2", 3" and 4".



			A	B	C	D	E
FITTING SIZE	MODEL	SIZE	OD	GASKET	HEIGHT	ID	FLOW AREA
.5"	QC.5-S	.5"	0.984	0.817	2.00	0.700	0.20
1.5"	QC1-S	1"	1.980	1.720	2.40	1.375	0.45
2"	QC1.5-S	1.5"	2.510	2.250	3.50	1.870	1.00
2.5"	QC2-S	2"	3.040	2.770	5.50	2.370	1.25
3"	QC2.5-S	2.5"	3.540	3.270	5.50	2.870	1.78
4"	QC3-S	3"	4.68	4.370	5.50	3.830	2.38