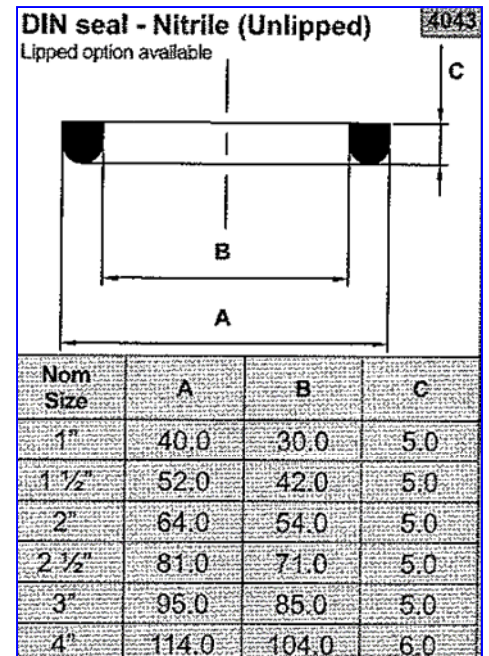
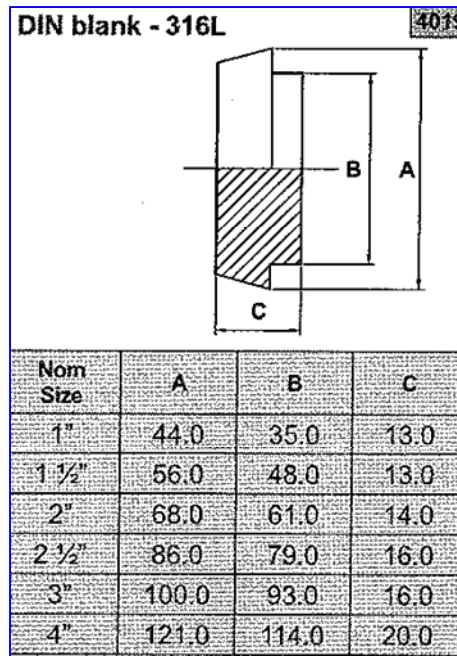
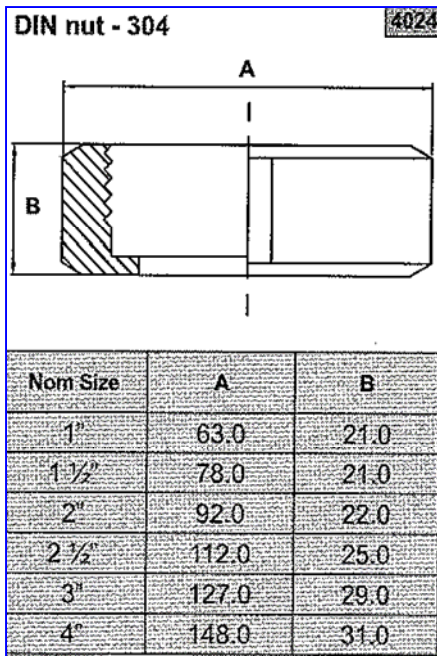
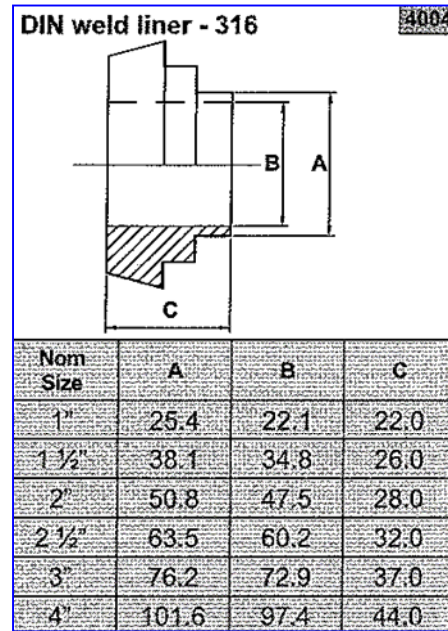
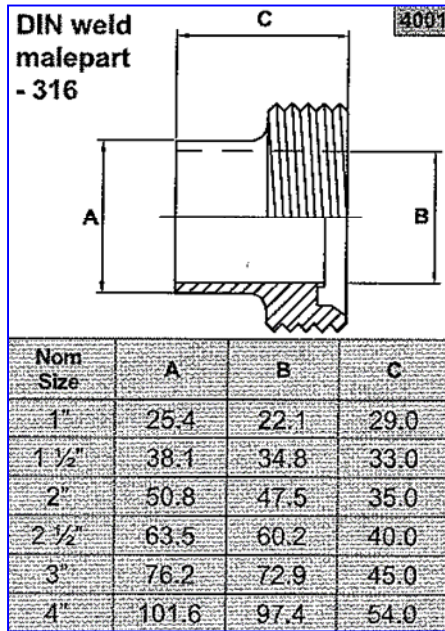


DIN 11851 STAINLESS STEEL FITTINGS

DIN fittings (Deutsches Institut für Normung) are used in many hygienic industries and are available in metric and imperial sizes. The seals are available in two forms, the flanged or lipped design which provides a flush fitting and crevice free joint, or the more commonly used un-lipped seal.

- Associated Standards: DIN 11851, DIN 11850, DIN 11864 and DIN 11887
- Material traceability to BS EN 10204



136 The East Mall
M8Z 5V5
Tel: (416)236-9610
Fax: (416) 236-9611
Toll Free: 1-800-956-5630